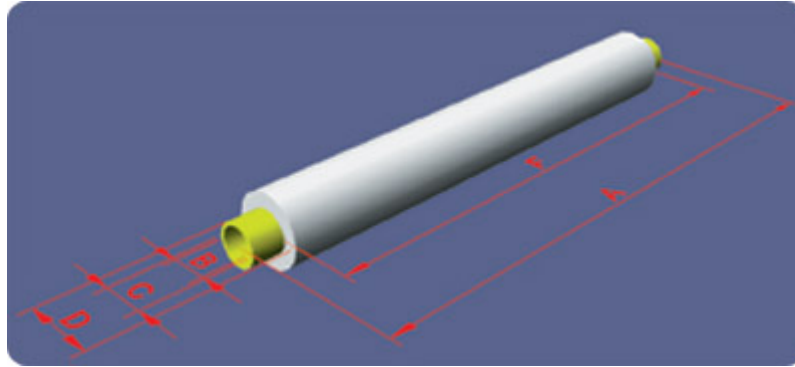




Keeping Technology Lines Moving

Rollos de Limpieza para Serigrafia



			"A" Core	"B" Core	"C" Core	"D" Roll	"E" Paper	"F" Paper	Core	
Part No.	Maquina de Serigrafia	Ref. No	Length (mm)	ID (mm)	OD (mm)	OD (mm)	Length (m)	Width (mm)	Material	Notch
2660*	DEK Horizon / Infinity	115660	530	19.6	22.6	58	11	515	Perspex	Yes
2662	DEK Horizon / Infinity	115662	530	19.6	22.6	58	11	400	Perspex	Yes
2664	DEK Horizon / Infinity	115664	530	19.6	22.6	58	11	300	Perspex	Yes
2300*	MPM AP27 / UP2000 / UP3000	P1485	456	19.4	25.4	63	11	444	Cardboard	No
2314	MPM AP27 / UP2000 / UP3000	N/A	456	19.4	25.4	63	14.3	444	Cardboard	No
2200	MPM AP27 / UP2000 / UP3000	N/A	571	19.4	25.4	63	11	559	Cardboard	No
E 400*	Ekra E-5	N/A	400	12	19	47	7	400	Cardboard	No
P 360	Panasonic SPPG-1	N/A	360	38.1	41.1	76	11	360	Cardboard	No
F 500	Fuji GP 541	N/A	500	25.4	28.4	60	7.8	500	Cardboard	Yes
SM 410	SMTech / Quad D AVX-400	N/A	410	38.1	41.1	65	7	410	Cardboard	No
K 350	KME	N/A	350	38.1	41.1	100	28	350	Cardboard	No
SY 280	Sanyo	N/A	280	38.1	41.1	76	11	280	Cardboard	No

